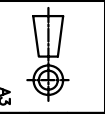


THIS DRAWING IS THE PROPERTY OF CRP FLEX-RITE LTD AND MUST NOT BE COPIED OR DISCLOSED TO A THIRD PARTY WITHOUT THE WRITTEN CONSENT OF CRP FLEX-RITE LTD.

Destroy all previous copies of this drawing

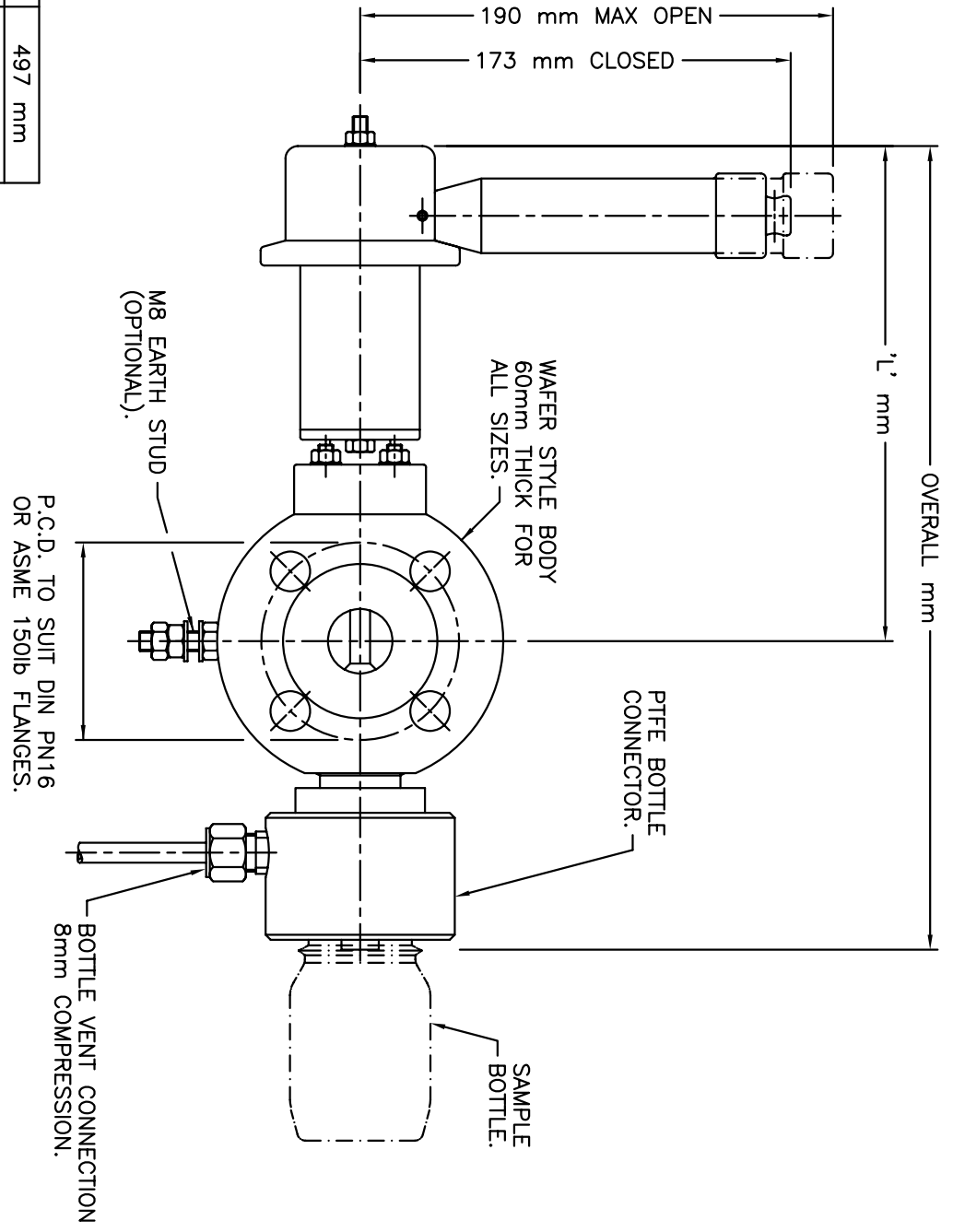
ISS	DATE	REMARKS
0	04.02.08	ORIGINAL
CKD		

**CRP FLEX-RITE** Limited  
LITTLEBOROUGH ENGLAND  
www.crpdmplng.com



DRAWN	T.B.	MATERIAL	N/A	DIMS	DO NOT SCALE	GENERAL TOLERANCES ± 3mm	TITLE	DRAWING No	ISS
DATE	04.02.08	SPEC'N	N/A	mm			G.A. SD-IL-300/400 SAMPLING DEVICE WITH BOTTLE CONNECTOR	SDD368	0
SCALE	1:2	CHK'D BY							

VALVE SIZE	VALVE SIZE	OVERALL mm
6" ASME 150lb	288 mm	497 mm
4" ASME 150lb	259 mm	442 mm
3" ASME 150lb	244 mm	412 mm
2½" ASME 150lb	237 mm	397 mm
2" ASME 150lb	226 mm	374 mm
1½" ASME 150lb	218 mm	360 mm
1" ASME 150lb	200 mm	323 mm



OPERATING DATA	VALVE TYPE
SD-IL-300	SD-IL-400
316L St/St	PFA LINED
PRESSURE	16 bar Max
10 bar Max	
TEMPERATURE	-20 to +200°C
	-20 to +180°C